

BF-880

User's Manual V2.0

2004.10.17
Chiyu Technology Co., Ltd.
Table of Contents

- 1 About BF-880**
- 2 Features**
 - 2.1 Characteristics**
 - 2.2 Support Functions**
- 3 Operation window**
- 4 User's Menu**
 - 4.1 For Password verify user**
 - 4.2 For Card verify user**
- 5 Administrator Menu**
 - 5.1 User**
 - 5.1.1 Add User : Register a new user**
 - 5.1.2 Delete User : Delete a registered user**
 - 5.1.3 Activate User : To enable authority of user for using BF-660C**
 - 5.1.4 Deactivate Use : To disable authority of user for using BF-660C**
 - 5.2 Settings**
 - 5.2.1 Date & Time : Set Time 、Date and Week**
 - 5.2.2 Password : Change manager's password**
 - 5.2.3 IP Config : Set IP Data of BF-660C**
 - 5.3 Reset**
 - 5.3.1 Reset User : Delete all registered users**
 - 5.3.2 Reset Logs : Delete all logs**
 - 5.3.3 IP Config : Reset IP to factory default**
 - 5.4 Misc.**
 - 5.4.1 User&Log : Display total number of registered users and total number of logs**
 - 5.4.2 Init Card : Initial TM card to EM format**
 - 5.4.3 Write Card : Write ID number to TM card**
- 6 Specifications**
- 7 Appendix**
 - 7.1 Notes**
 - 7.2 External connector specifications**
 - 7.3 Connection example**

1 About BF-880

BF-880 is developed to manage entrance security, work place time and attendance, over-work time verification and other situation requiring the presence of the authorized personnel.

BF-880 support various I/O protocols. Within 1 Card Reader, 128 X 64 pixel LCD screen, 10 push buttons, 6 function keys, and 1 buzzer. These equipments make BF-880 user-friendly.

2 Features

2.1 Characteristics

- **Entrance security, time and attendance, over-time management and other applications**
BF-880 system allows for entrance security, work place time and attendance, over-time work. Also, situations that require the presence of the authorized persons at a secured point can take advantage of our BF-880 system.
- **Special function keys may be configured to time and attendance and entrance access management**
4 programmable function keys can be used to manage time and attendance. One BF-880 can be adapted to manage many different kinds of work involving site security control and time and attendance.
- **Use of stand-alone modules and working in conjunction with an ACU**
BF-880 entrance control system may be used as stand-alone units to control entrance traffic or in multiple module configurations Utilizing Weigand protocol to contain with an ACU. Also, direct connection to a PC is possible via TCP/IP protocol when software library bundled. Because BF-880 content RTC and log management capabilities(up to 65,000 records), entrance security and other event management are possible without an ACU.
- **Support Weigan 、RS-485 and TCP/IP communication**
Support 2 Weigan In(26), 1 Weigan Out(26), 1 RS-485 for card reader, 1 TCP/IP connector

2.2 Support functions

2.2.1 User management

- Register a user, provide 2 type of register (1.Password 2.Card)
- Delete a user or all users
- Query about registered user number
- Query about maximum registerable user number
- Query about ID allocation
- Set and read a user's time zone
- View or receive registered ID list
- Transmit user's data in the terminal

2.2.2 System management

- Configure and read time and date of BF-880
- Change BF-880 I.D.
- Change time of opening doorlock

2.2.3 Door mode

- Configure and read door mode (normal/ forced open/ forced close) and time

2.2.4 Log

- Transmit a log or all logs. Log data contains the function key, entrance time, user I.D.
- Query log count
- Delete all logs

2.2.5 Authentication

- Authentication at the terminal by Card/Password
- Each person can set 6 entry time zone

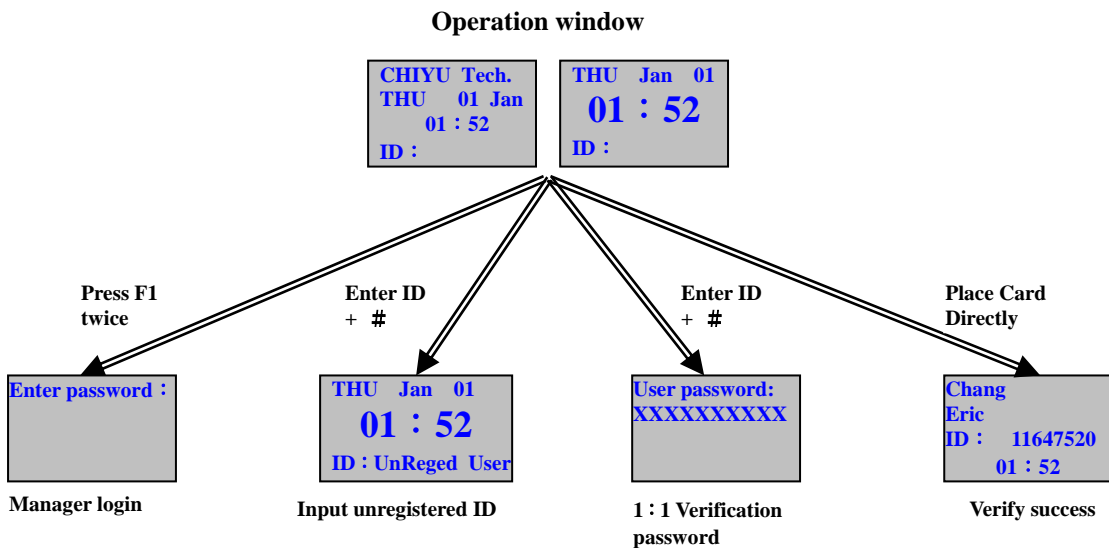
2.2.6 Real time event

- Display user I.D. Name on LCD at authentication time.

2.2.7 Auxiliary function

- 4 Exit button (With BF-10 relay box , Max. 8 Exit button)
- 4 Relay out for lock driver (With BF-10 relay box , Max. 8 relay out)

3 Operation window



Function key description :

- F1** : Enter Administrator Mode
Function key for Time & Attendance
- F2** : Function key for Time & Attendance
- F3** : Delete (Backspace)
Function key for Time & Attendance
- F4** : Function key for Time & Attendance
- #** : Confirm
- *** : Cancel
- 0** ~ **9** : Number key



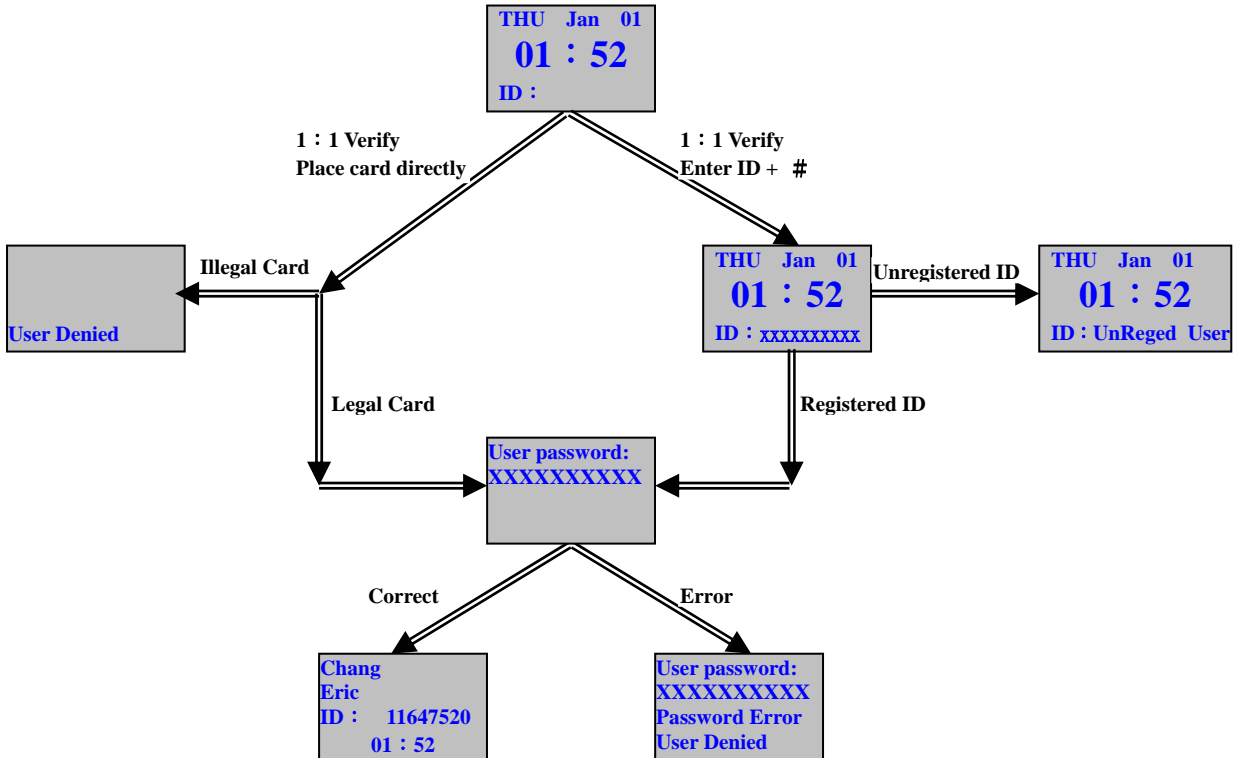
Illegal card



Asking password verify

4 User's Menu

4.1 For password verify user (1:1 verify)



Operation description :

1 : 1 verify , max. 5000 users

Method 1 :

~ Enter ID

Press #

~ Enter password
6~10 digit

Press #

Method 2 :

Place sensor card on the coil directly

~ Enter password
6~10 digit

Press #

Function key description :

: Enter Administrator Mode
Function key for Time & Attendance

: Function key for Time & Attendance

: Delete (Backspace)
Function key for Time & Attendance

: Function key for Time & Attendance

: Confirm

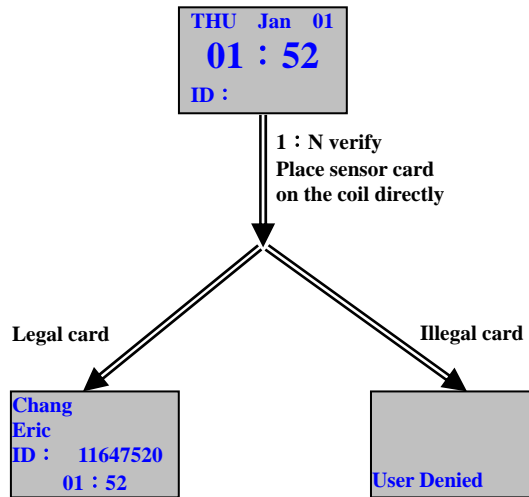
: Cancel

~ : Number key

Note : 1. If you use function key please press function key first

2. If you want to show name on LCD then you must enter name in BF-660C web setting

4.2 For card verify user (1:N verify)



☞ Operation description :

1 : N verify , max. 5000 users
Place sensor card on the coil directly

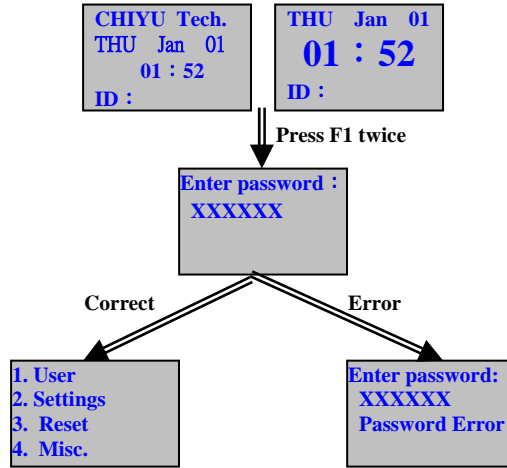
Note : 1. If you use function key please press function key first
2. If you want to show name on LCD then you must enter name in BF-660C web setting

☞ Function key description :

- F1** : Enter Administrator Mode
Function key for Time & Attendance
- F2** : Function key for Time & Attendance
- F3** : Delete (Backspace)
Function key for Time & Attendance
- F4** : Function key for Time & Attendance
- #** : Confirm
- *** : Cancel
- 0** ~ **9** : Number key

5 Administrator Menu

Administrator menu allows new user registration and deletion, and system configuration. Press "F1" twice to enter °



☞ Operation description :

- F1** Press F1 twice
- 0** ~ **9** Enter 6 digit password default value is 111111
- #** Press #
- 0** ~ **9** Press 1~4 to select
- *** Press * to exit

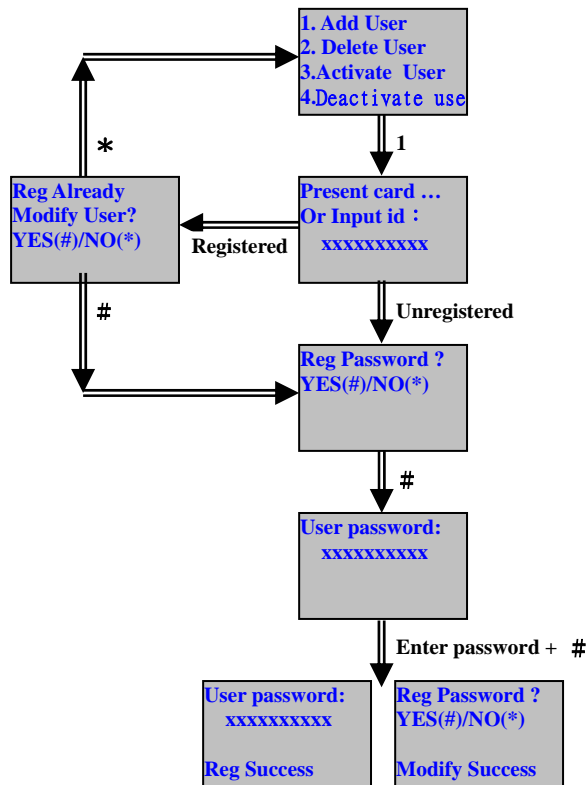
☞ Function key description :

- F1** : Enter Administrator Mode/Page Up
- F2** : Page Down
- F3** : Delete (Backspace)
- F4** : No use
- #** : Confirm
- *** : Cancel
- 0** ~ **9** : Number key

5.1 User

5.1.1 Add User : register a new user

5.1.1.1 Password verify user



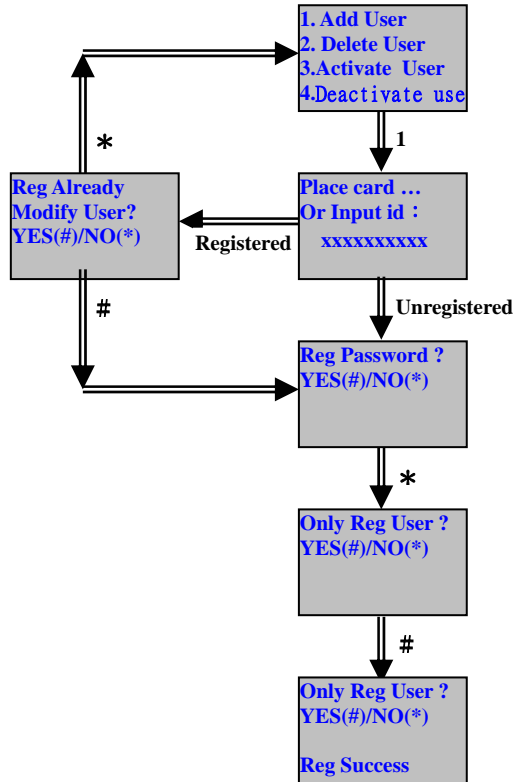
☞ Operation description :

- 0** ~ **9** Press 1
- 0** ~ **9** Enter ID or Place sensor card on the coil
- #** Press #
- #** Press # to register password
- 0** ~ **9** Enter password 6~10 digit
- #** Press #

☞ Function key description :

- F1** : Enter Administrator Mode/Page Up
- F2** : Page Down
- F3** : Delete (Backspace)
- F4** : No use
- #** : Confirm
- *** : Cancel
- 0** ~ **9** : Number key

5.1.1.2 Card verify user



☞ Operation description :

0 ~ **9** Press 1

Place sensor card on the coil

***** Press ***** to cancel password register

Press **#** to confirm

Note : After register success please modify open mode to card first , see 5.1.3

☞ Function key description :

F1 : Enter Administrator Mode/Page Up

F2 : Page Down

F3 : Delete (Backspace)

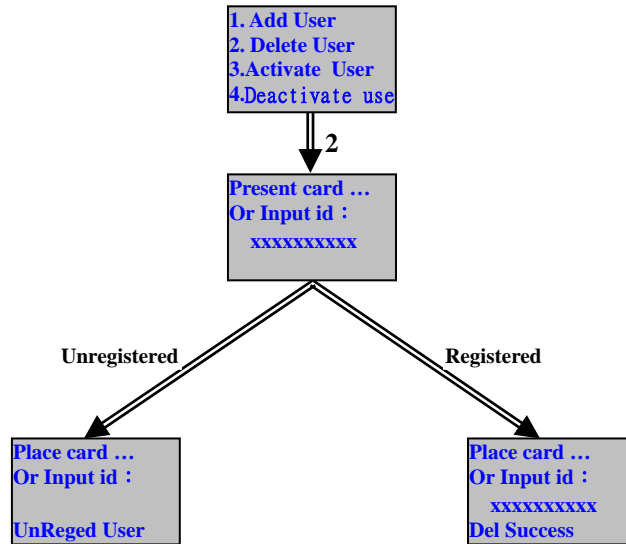
F4 : No use

: Confirm

***** : Cancel

0 ~ **9** : Number key

5.1.2 Delete User : Del one registered user



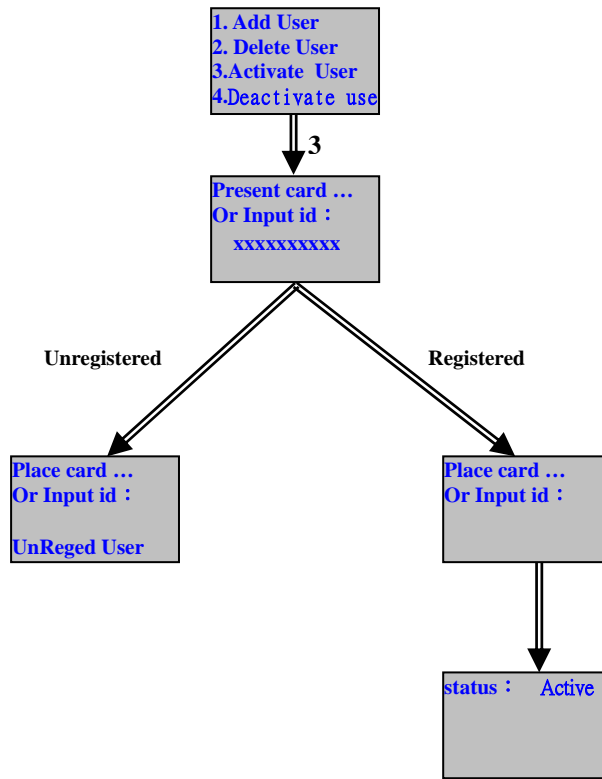
☞ Operation description :

- 0** ~ **9** Press 2
- 0** ~ **9** Enter ID or Place sensor card on the coil
- #** Press #

☞ Function key description :

- F1** : Enter Administrator Mode/Page Up
- F2** : Page Down
- F3** : Delete (Backspace)
- F4** : No use
- #** : Confirm
- *** : Cancel
- 0** ~ **9** : Number key

5.1.3 Activate User : To enable authority of user for using BF-660C



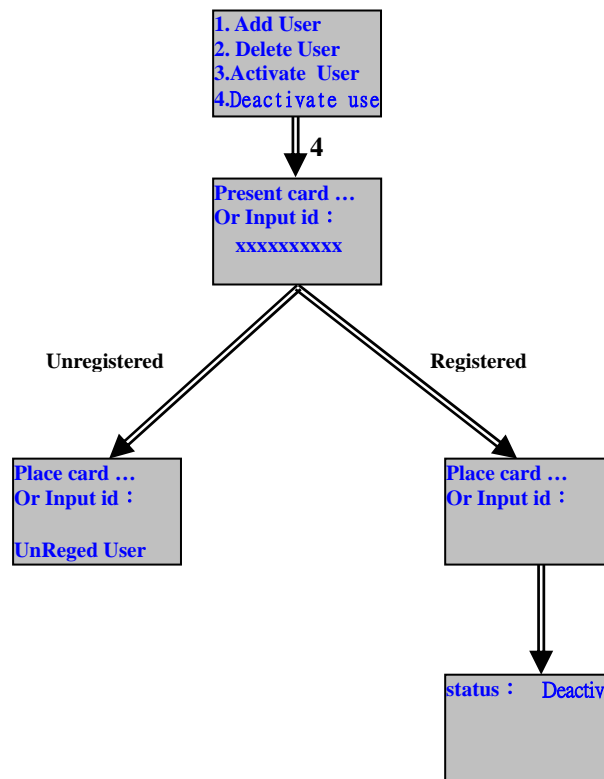
☞ **Operation description :**

- 0 ~ 9** Press 3
- 0 ~ 9** Enter ID or Place sensor card on the coil
- #** Press #

☞ **Function key description :**

- F1** : Enter Administrator Mode/Page Up
- F2** : Page Down
- F3** : Delete (Backspace)
- F4** : No use
- #** : Confirm
- *** : Cancel
- 0 ~ 9** : Number key

5.1.4 Deactivate Use : To disenable authority of user for using BF-660C



☞ **Operation description :**

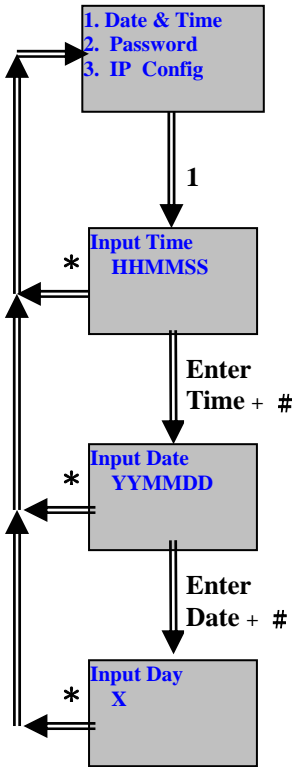
- 0** ~ **9** Press 4
- 0** ~ **9** Enter ID or Place sensor card on the coil
- #** Press #

☞ **Function key description :**

- F1** : Enter Administrator Mode/Page Up
- F2** : Page Down
- F3** : Delete (Backspace)
- F4** : No use
- #** : Confirm
- *** : Cancel
- 0** ~ **9** : Number key

5.2 Settings

5.2.1 Date & Time: Set time、date and week of BF-660C



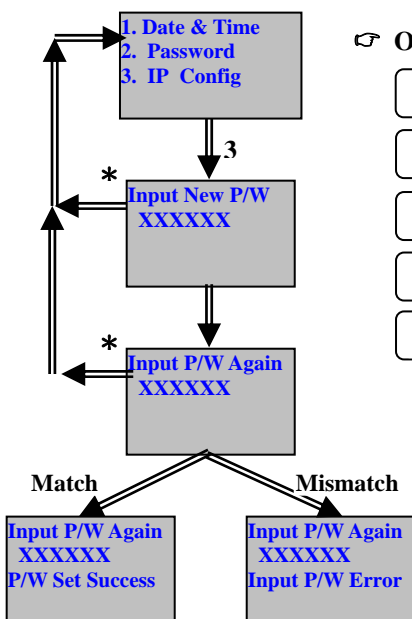
☞ Operation description :

- ~ Press 1
- ~ Enter time HHMMSS
-
- ~ Enter date YYMMDD
- Press #
- ~ Enter week 1~7
- Press #

☞ Function key description :

- : Enter Administrator Mode/Page Up
- : Page Down
- : Delete (Backspace)
- : No use
- : Confirm
- : Cancel
- ~ : Number key

5.2.2 Password: Change manager's password



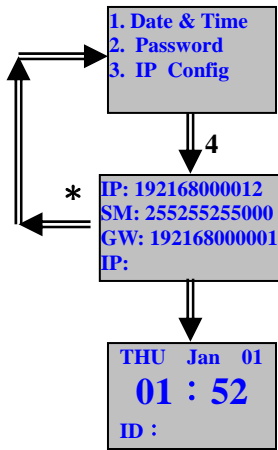
☞ Operation description :

- ~ Press 3
- ~ Enter 6 digit password
- Press #
- ~ Enter 6 digit password
- Press #

☞ Function key description :

- : Enter Administrator Mode/Page Up
- : Page Down
- : Delete(Backspace)
- : No use
- : Confirm
- : Cancel
- ~ : Number key

5.2.3 IP Config: Set IP data of BF-660C



Operation description :

- ~ Press 4
- ~ Enter IP 、 Subnet mask 、 Gateway
- Press #

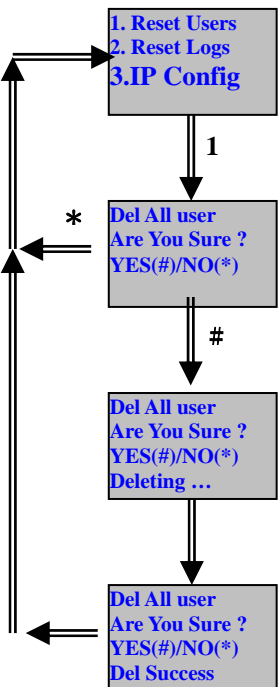
Function key description :

- : Enter Administrator Mode/Page Up
- : Page Down
- : Delete(Backspace)
- : No use
- : Confirm
- : Cancel
- ~ : Number key

Note :
 The format of IP 、 subnet mask and gateway are as follow
 If you want to set IP as 192.168.0.12 then enter 192168000012
 If you want to set subnet mask as 255.255.255.0 then enter 255255255000
 If you want to set gateway as 192.168.0.1 then enter 192168000001

5.3 Settings

5.3.1 Reset Users : Delete all registered users



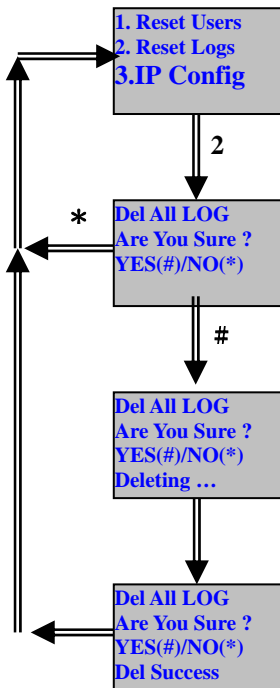
Operation description :

- ~ Press 1
- Press #

Function key description :

- : Enter Administrator Mode/Page Up
- : Page Down
- : Delete (Backspace)
- : No use
- : Confirm
- : Cancel
- ~ : Number key

5.3.2 Reset Logs : Delete all logs



☞ Operation description :

0 ~ **9** Press 2

Press

☞ Function key description :

F1 : Enter Administrator Mode/Page Up

F2 : Page Down

F3 : Delete (Backspace)

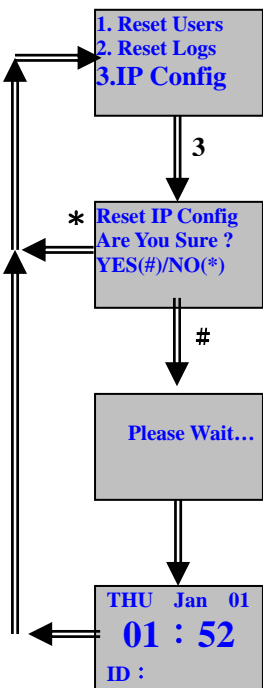
F4 : No use

: Confirm

***** : Cancel

0 ~ **9** : Number key

5.3.3 IP Config : Reset IP to factory default



☞ Operation description :

0 ~ **9** Press 3

Press

☞ Function key description :

F1 : Enter Administrator Mode/Page Up

F2 : Page Down

F3 : Delete (Backspace)

F4 : No use

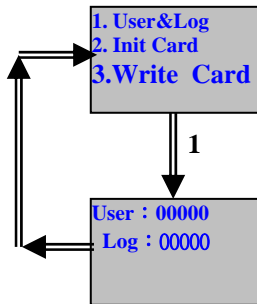
: Confirm

***** : Cancel

0 ~ **9** : Number key

5.4 Misc.

5.4.1 User&Log : Display total number of registered users and total number of logs



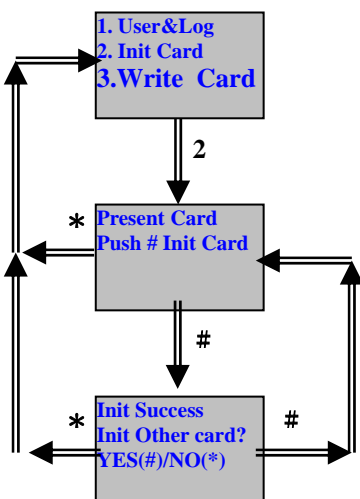
☞ Operation description :

0 ~ **9** Press 1

☞ Function key description :

- F1** : Enter Administrator Mode/Page Up
- F2** : Page Down
- F3** : Delete (Backspace)
- F4** : No use
- #** : Confirm
- *** : Cancel
- 0** ~ **9** : Number key

5.4.2 Init Card : Initial TM card to EM format



☞ Operation description :

0 ~ **9** Press 2

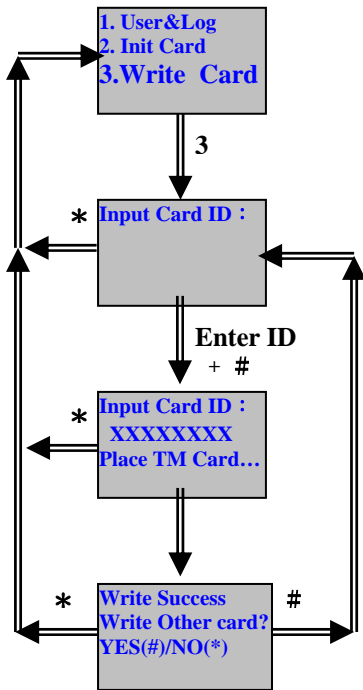
Press

Place sensor card on the coil

☞ Function key description :

- F1** : Enter Administrator Mode/Page Up
- F2** : Page Down
- F3** : Delete (Backspace)
- F4** : No use
- #** : Confirm
- *** : Cancel
- 0** ~ **9** : Number key

5.4.3 Write Card : Write ID number to TM card



☞ Operation description :

~ Press 3

~ Enter ID+ #

Place sensor card on the coil

☞ Function key description :

: Enter Administrator Mode/Page Up

: Page Down

: Delete (Backspace)

: No use

: Confirm

: Cancel

~ : Number key

6 Specifications

6.1 Module Features

- Main board
- Keyboard module
- LCD module
- Build-In Card Reader
- 1 weigan in for external CARD REDER and 1 weigan out
- 1 RJ45(TCP/IP) for management
- 2 RJ45 connectors for Relay Box(BF-10) and I/O Box(BF-20)
- control up to 4 door with 8 485 reader(in/out)

6.2 Power Supply

- 6.2.1 Voltage
 - +9V to +30V DC
- 6.2.2 Current
 - Maximum power consumption: 500mA

6.3 Environment

- 6.3.1 Temperature and humidity
 - Operating temperature: -20°C to 55°C
 - Storage temperature: -25°C to 60°C
 - Operating humidity: 0% to 90%
 - Storage humidity: 0% to 90%
- 6.3.2 Immunity to electro static discharge
 - 0~4kV contact discharge: No unrecoverable error °
 - 0~8kV air discharge: No user detectable error °

6.4 Communication

- 1 RJ-45 port(10/100M) for management
- 1 RS-485 port(connect to external 485 CARD READER)
- Meet RS485 specifications

6.5 Drivers

- 1 Relay Out (COM, NO, NC)

6.6 Capacity

- 5000 persons with 1 card/1 password per person.

6.7 Log entry memory

- 65000 log entries total.

6.8 Size(yet to be set)

- Main board: 111 mm (H) X 82 mm(W)
- LCD board: 75 mm (H) X 36 mm (W)
- BF-880 152 mm(H) X 89 mm(W) X 55 mm(D)

6.9 Weight

- 340g

6.10 Authentication time

- Average : shorter than 2 second.

6.11 Input

- 10 number keys + 6 function keys

6.12 Display

- 1 Buzzer
- 1 LCD: 128 X 64 pixels

7 Appendix

7.1 Note



The first thing when you install BF-880

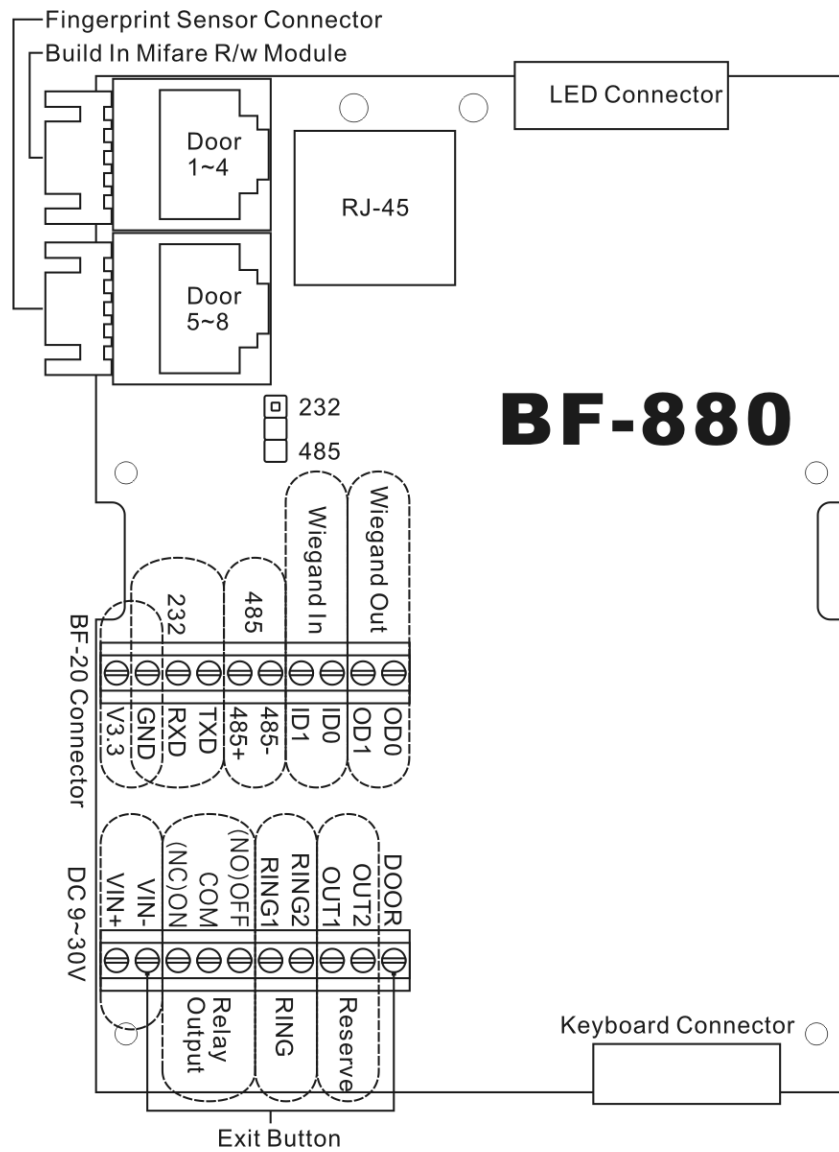
- Please change the system password first. BF-880's password is fixed at "11111" initially. It makes a security problem.



Please do these when BF-880 has out of function.

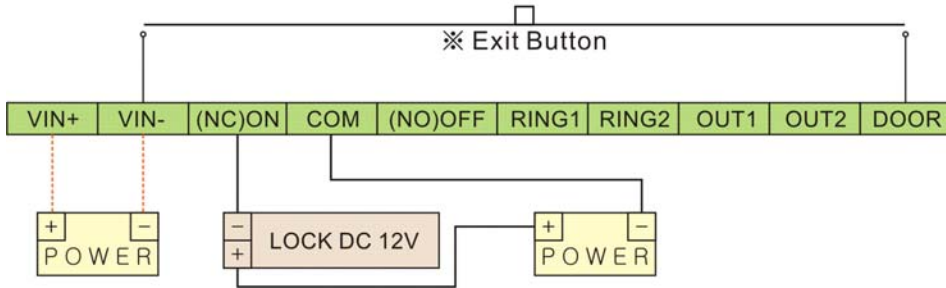
- Power off and power on again, so initialize BF-880. After initializing BF-880, if it has same status still, please calls on Chiyu's service center.

7.2 External connector specifications



7.3 Connection example

Lock open when lock is power off



Lock open when lock is power on

